

# Zero Sequence Current Transformer

## Technical Parameter

NAME: ZCT

TYPE: Zero Sequence Current Transformer

Primary leakage current: 200mA

Secondary leakage current: 1.5mA

Accuracy:  $\pm 10\%$

Capacity Factor: 10VA

Dielectric Strength: 2000V

Insulation Resistance: 100M $\Omega$

Iron core material: Slope film alloy

Temperature:  $-20^{\circ}\text{C} \sim +70^{\circ}\text{C}$

Installation mode: Plate-type installation

Features: plate mounting, crimp terminal output, built-in transient voltage suppressor protection

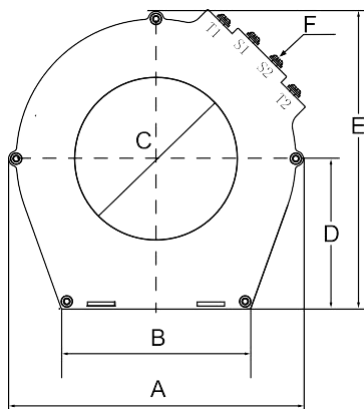
Purpose: used for zero sequence current detection of leakage protection (EGR)

Flame retardant properties: in accordance with UL94-V0

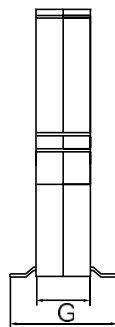
Working frequency: 50HZ-60HZ

Anti-electric strength: 2KV AC/1 min (between shell and output)

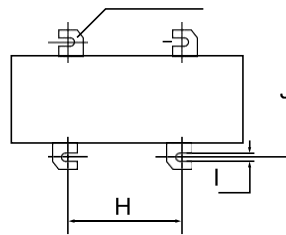
## Outline Dimension



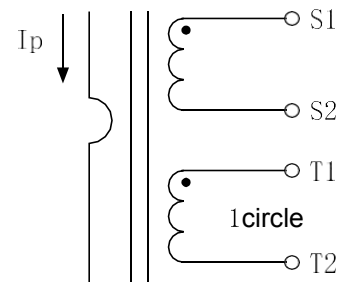
Front view



Lateral view



Bottom View



Schematic diagram

### Outline Dimension (mm)

TYPE	A	B	C	D	E	F	G	H	I	...	
ZCT035	85	52	$\Phi 35$	42	85	2-M3.5	52	27.5	5		
ZCT080	145	93	$\Phi 80$	74	146	4-M3.5	58	54	6.5		
ZCT120	185	126	$\Phi 120$	99	194	4-M3.5	58	95	6.5		